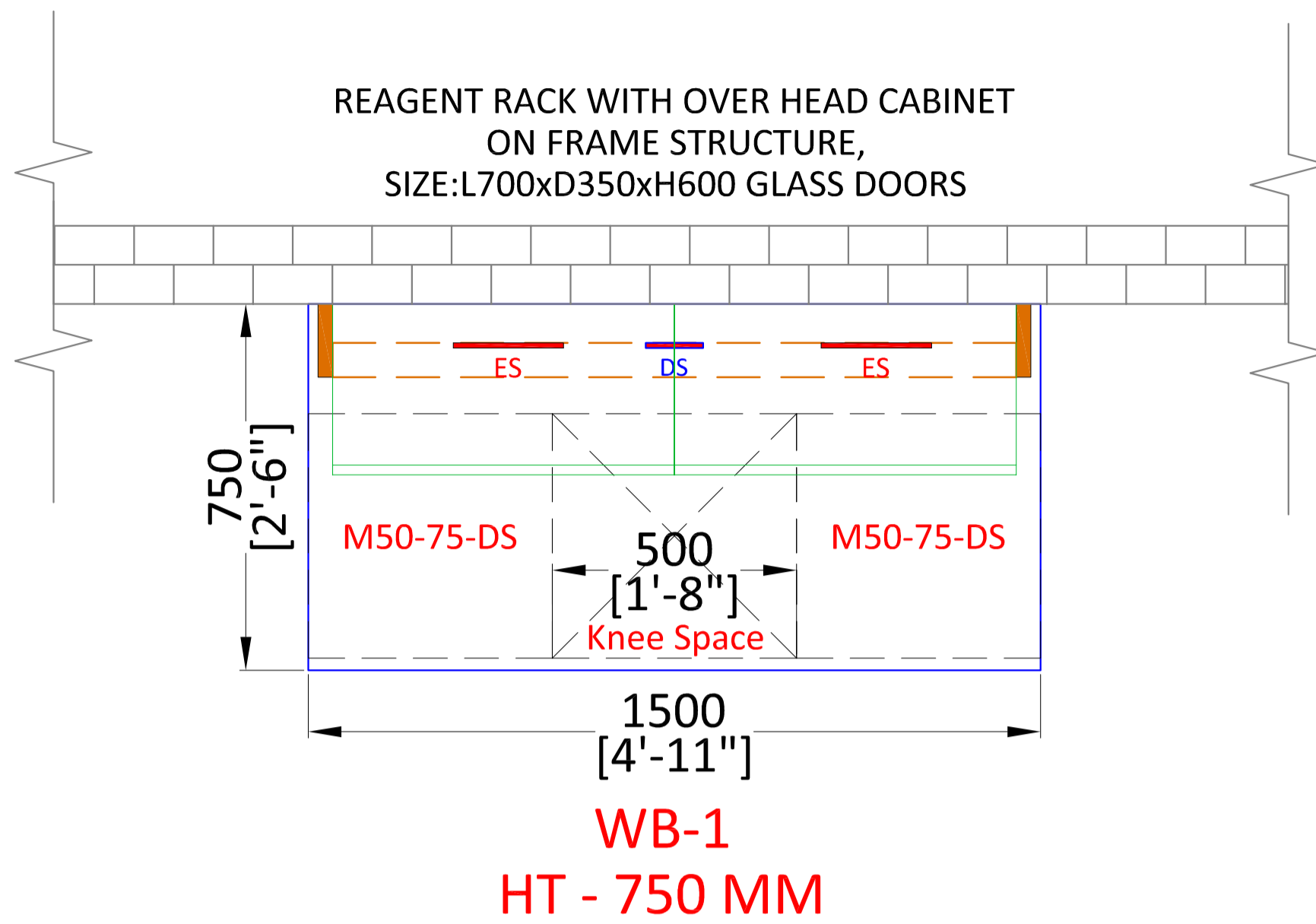
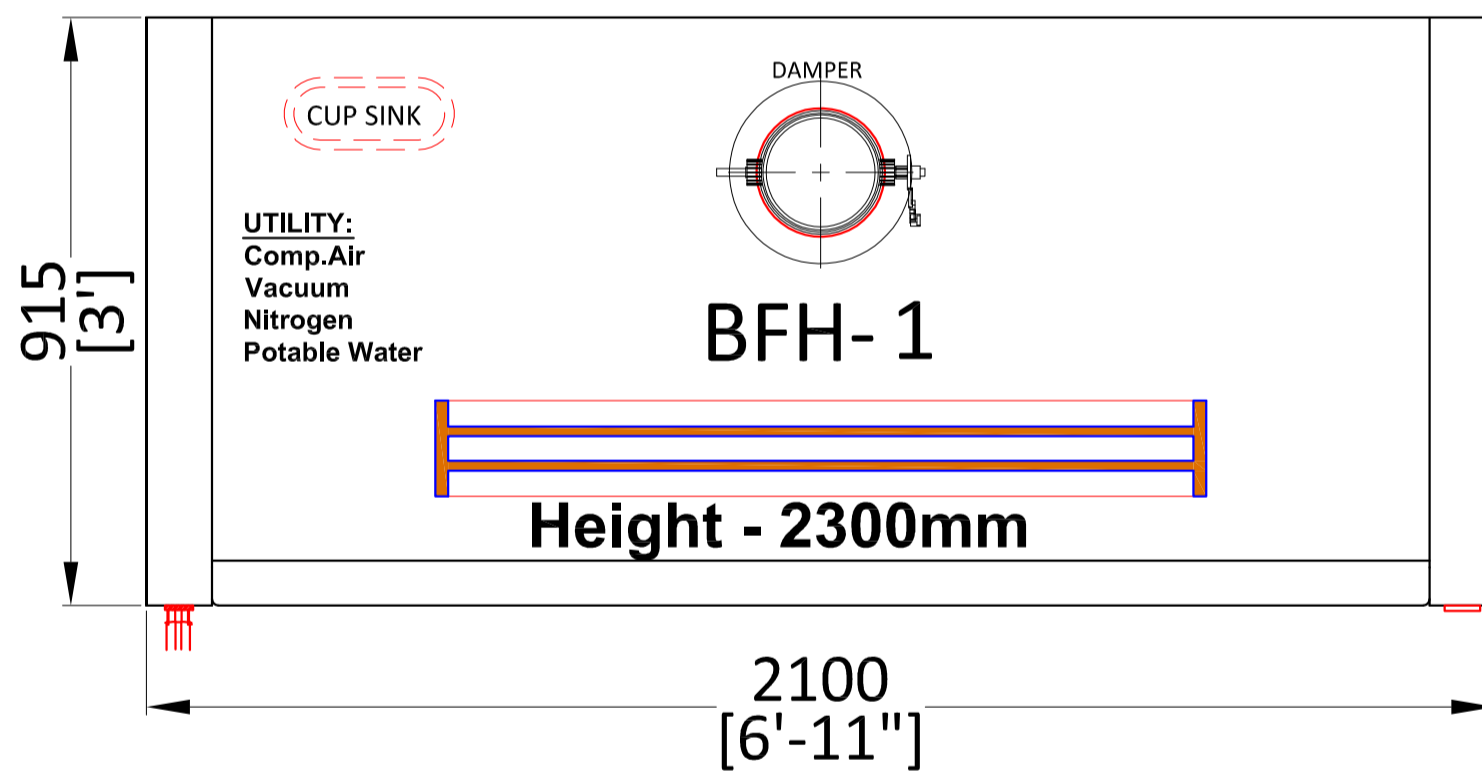


SR.NO.-1
WB-1
QTY. - 3 Nos.



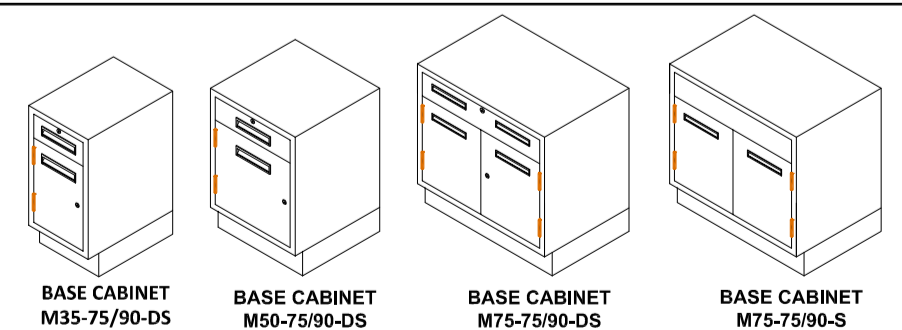
SR.NO.-2
FUME HOOD
QTY. - 1 Nos.



Note:

- Low Constant Volume (LCV) Type Bench Fume Hood For AC Lab
- 4 Nos. Electrical Sockets & Switch
- SS Airfoil
- Chemical storage purpose underbench cabinet with pp tray
- PP Blower - 1 No for 1 No Fume Hoods

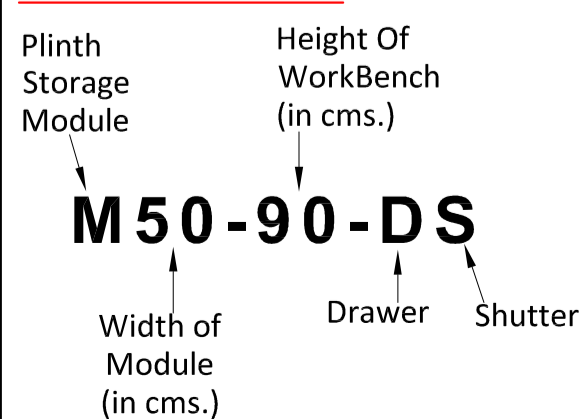
BASE CABINET DETAILS



LEGEND:

WB	:	Wall Bench
ES	:	Electrical Socket
ER	:	Electrical Raceway
DS	:	Data Socket
BFH	:	Bench Type Fume Hood
M75-90-DS	:	750mm Module With One Drawers & Two Shutters
M50-90-DS	:	500mm Module With One Drawers & Two Shutters
LS	:	Leg Space without footrest
SSDR	:	Single Sided Single Tier Reagent Rack With Over head Cabinet And Electrical Raceway

NOMENCLATURE :



Note :-

- All Dimensions are in "mm"
- Plinth Mounted System
- Flush Type Handle
- Worktop in 18 ±1 mm thick Black Granite Construction
- **Kindly note that all the 3D views shown here are for your reference only.**